

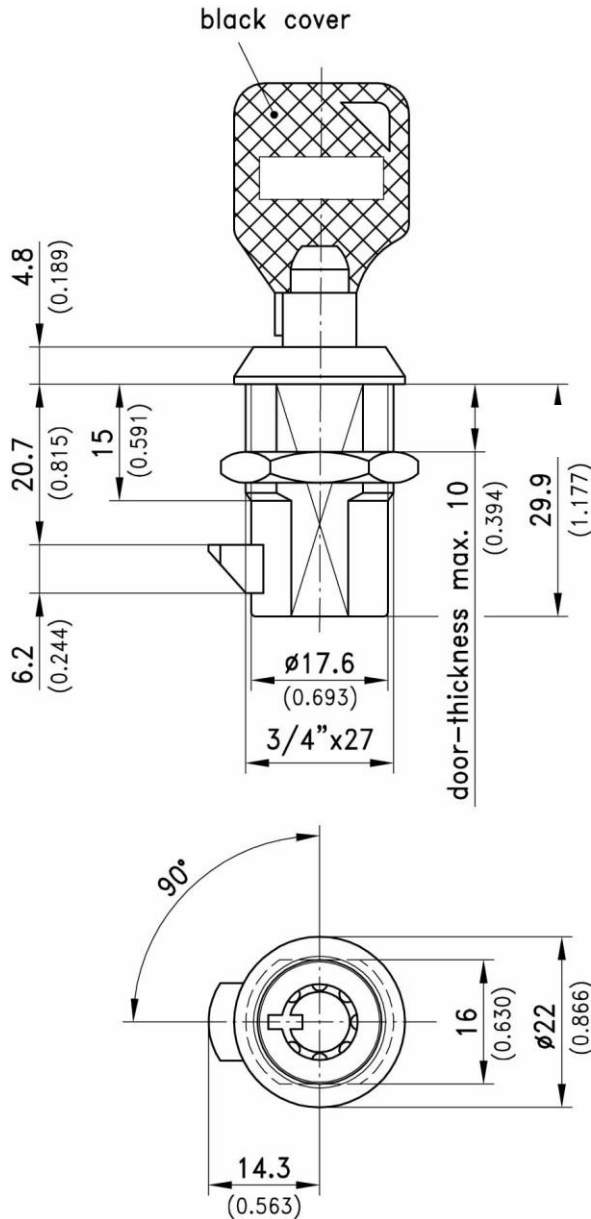
B500 Snap Lock

Features

- Push-to-close, turn-to-open operation
- Spring loaded cam of latch is operated by the key
- Lock is supplied with nut and wide stabilizing washer underneath nut
- All locks supplied with two keys

Material

- Snap-Lock: Zinc die, chrome plated
- Washer: Steel, zinc plated
- Nut: Steel, zinc plated



Part No.	Key Type	Door Thickness
B500-C64-9102	Keyed Alike	Max. 10 mm
B500-C64-9101	Keyed Differently	